



## Slip-lid cans - welded



If anyone CAN - we CAN!

# Slip-lid cans - welded

For dried products, as individual as your packaging needs

The benefits of welded slip-lid cans „made by Pirlo“ at a glance:

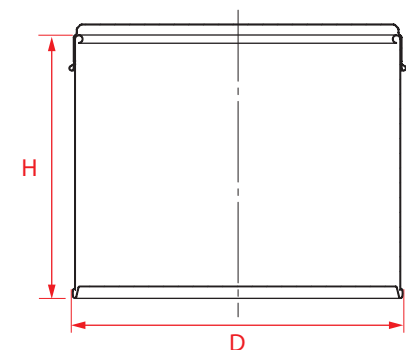
- Different standard versions allow flexible and cost-effective packaging solutions in various volumina
- Individually printable in “reasonable” quantities

Our experts will be happy to help you with any questions you may have pertaining to sip-lid cans. Special tin sizes are possible on request.



Diameter [mm]	Minimum height [mm]	Maximum height [mm]
56	55	280
63	55	280
73	55	280
99	55	280
116	65	280

Standard sizes				
Nominal capacity	Dimension	Quantity	Standard	Minimum amount
in ml	D / H in mm	per pallet		
135	56/65	4.275	●	40.000
175	56/90	3.135	●	40.000
200	73/55	2.970	●	30.000
500	73/140	1.155	●	30.000
500	99/80	1.056	●	20.000
600	73/180	825	●	30.000
600	116/65	819	●	5.000
1.000	116/102	603	●	5.000
1.250	99/180	440	●	20.000
1.500	99/220	352	●	20.000



#### Legend

- = Standard (samples available)
- = Stock items (grey) also in smaller quantities available



Österreichische Blechwarenfabrik  
Pirlo GmbH & Co KG

Hugo-Petters-Straße 8-14, 6330 Kufstein/Austria  
fon +43 5372 649 23  
office@pirlo.com pirlo.com

Pirlo Industrial GmbH & Co OG

Industriezeile 8, 2100 Korneuburg/Austria  
fon +43 2262 727 12  
office.industrial@pirlo.com pirlo.com

